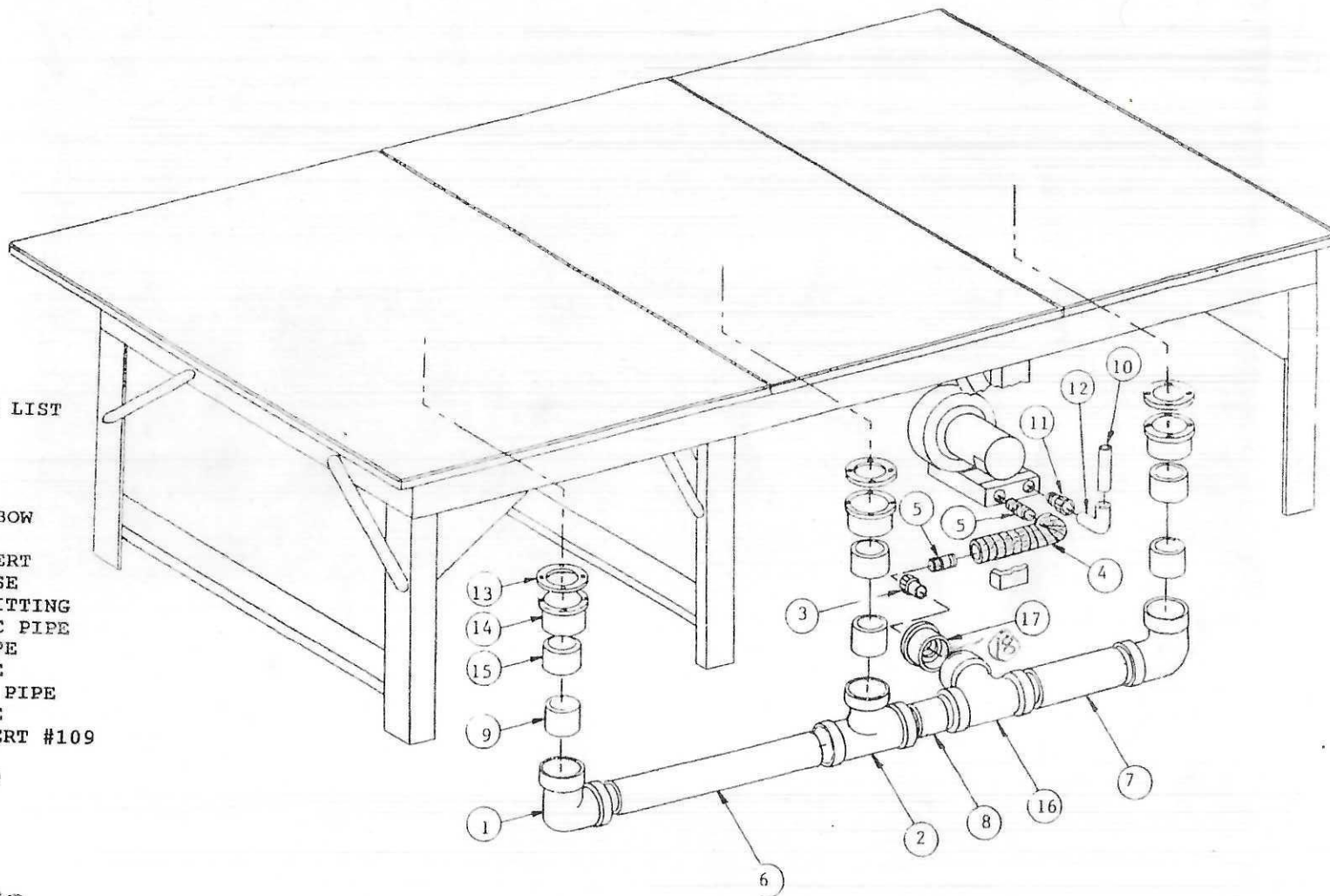


GRIP-TEX COMPONENT PARTS LIST

PART	PART NAME
1	4" 90 DEGREE ELBOW
2	4" X 4" X 4" T
3	2" THREADED INSERT
4	48" FLEXIBLE HOSE
5	2" MAP BARBED FITTING
6	42-1/4" X 4" PVC PIPE
7	29 1/2" X 4" PVC PIPE
8	5 1/4" X 4" PVC PIPE
9	6-1/4" X 4" PVC PIPE
10	6" X 2" PVC PIPE
11	2" THREADED INSERT #109
12	2" ELBOW #302
13	4" RUBBER GASKET
14	4" FLANGE
15	4" BUSHING
16	4" Y
17	4" X 2" BUSHING

18 4" X 3 1/4" PVC PIPE



1. Locate blowers under _____ sections of table.
2. Connect piping and fittings per drawing. (On tables with more than 1 blower, the elbows can be replaced with tee's to tie 2 or more systems together. This will increase performance of the system.)
3. A reversing drum switch is included to reverse the system from vacuum to flotation. Never reverse the blower until it has come to a complete stop. (Optional Air-Tex blowers may be added to system to increase floataion performance.)